

**Peelers**

**Vegetable Peeler, 8kg with abrasive plate, removable chamber & filter - UK Plug**

ITEM # \_\_\_\_\_

MODEL # \_\_\_\_\_

NAME # \_\_\_\_\_

SIS # \_\_\_\_\_

AIA # \_\_\_\_\_

**601540 (T8EFBG)**

8 kg vegetable peeler, abrasive plate, abrasive cylinder and incorporated filter basket (UK)

### Short Form Specification

**Item No.** \_\_\_\_\_

Can be placed on a worktop. 8 kg, removable stainless steel peeling chamber contains the abrasive plate which also serves as a container for carrying the vegetables. Vegetables can be loaded directly into the peeling chamber, away from the machine. Easily assembled onto the base, with the drive shaft fitting into the centre of the plate. The transparent cover closes the cylinder during the peeling operations. Timer pre-set to 3 minutes. Peeling speed: 305 rpm. Removable water inlet, on the cover, designed to serve as a spray for cleaning the machine. The electronic controls and the motor of the peeler have IP55 protection. Optional drying basket.

Supplied with abrasive plate, abrasive cylinder and integrated/removable filter basket. UK plug.

### Main Features

- Removable stainless steel peeling chamber to contain the abrasive plate which also serves as a container to carry the vegetables.
- Supplied with:-abrasive plate and abrasive cylinder as standard
- Removable water inlet, clipped to the cover, designed to serve as a spray to clean the machine.
- Red OFF, green ON buttons.
- Peeling time on timer preset to 3 minutes
- Easily fits onto the base, with the drive shaft fitting into the center of the plate.
- Integrated built-in filter device, removable for cleaning.
- Dishwasher safe removable parts.
- Transparent lid to close the cylinder during peeling operations.
- Unit can be placed on a work top.
- Suitable for 80-150 meals per service.

### Construction

- 1 speed: 305 rpm.
- IP55 waterproof control buttons.
- Transparent BPA free cover.

### Included Accessories

- 1 of Abrasive plate for 5/8 kg vegetable peeler PNC 653316
- 1 of Filter basket for 8 kg vegetable peeler and 5/8 kg seashell cleaners PNC 653514

### Optional Accessories

- Abrasive plate for 5/8 kg vegetable peeler PNC 653316
- Drying basket for 8 kg vegetable peeler (only T8E) PNC 653495
- Stainless steel table for 5 and 8 kg vegetable peelers PNC 653496
- Filter basket for 8 kg vegetable peeler and 5/8 kg seashell cleaners PNC 653514

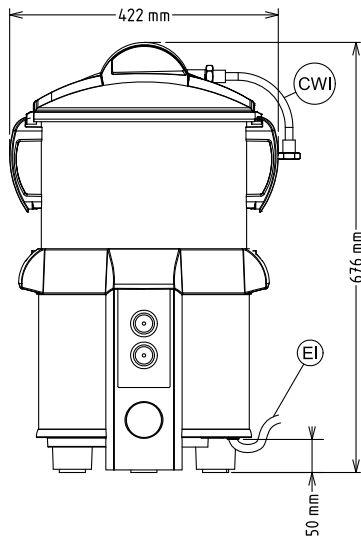
**APPROVAL:** \_\_\_\_\_



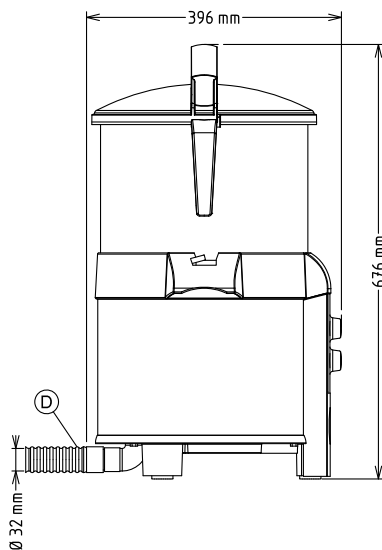
**Electrolux**  
PROFESSIONAL

**Peelers**  
**Vegetable Peeler, 8kg with abrasive plate, removable chamber & filter - UK Plug**

Front

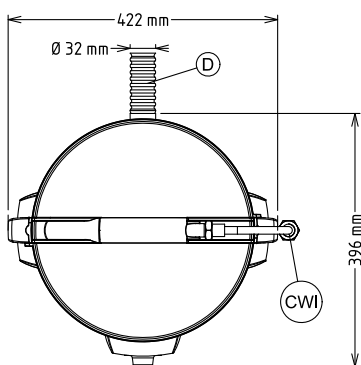


Side



- CWI = Cold Water inlet 1
- D = Drain
- EI = Electrical inlet (power)

Top



**Electric**

**Supply voltage:**

601540 (T8EFBG)

220-240 V/1N ph/50/60 Hz

**Capacity:**

**Performance (up to):**

130 kg/hour

**Capacity:**

8 kg

**Key Information:**

**External dimensions, Width:** 422 mm

**External dimensions, Depth:** 396 mm

**External dimensions, Height:** 676 mm

**Shipping weight:**

26 kg



**Peelers**  
**Vegetable Peeler, 8kg with abrasive plate, removable chamber & filter - UK Plug**  
The company reserves the right to make modifications to the products without prior notice. All information correct at time of printing.